

DBMoto® Cloud G Edition™

Change Data Capture for Google® App Engine™ Datastore



A BackOffice Associates, LLC Company

DBMoto® Cloud G Edition™

DBMoto® Cloud G Edition™ is an innovative solution for **Data Replication, Change Data Capture and Data Transformation** requirements between corporate databases and the Google® App Engine™ Datastore. Whether you are migrating data to Google's storage system for better TCO, synchronizing data among disparate operational systems and applications, creating a new data warehouse or data mart environment for analytics, building a business intelligence application or creating a backup of key corporate data, DBMoto Cloud G Edition is the solution of choice for fast, trouble-free, easy-to-maintain data replication and integration projects that need to share data with the Google App Engine™ Datastore.

DBMoto Cloud G Edition replicates data between popular relational databases (Oracle, SQL Server, IBM DB2, Informix, Sybase, MySQL and others) and Google App Engine™ Datastore, the high performance datastore made available by Google as part of the Google App Engine™ and accessible by all Google applications. DBMoto Cloud G Edition provides a safe, secure and complete solution to quickly share and update data between corporate systems and data residing in the Google App Engine™ Datastore. Using DBMoto Cloud G Edition, enterprise application developers can design Google applications that take advantage of the most up-to-date information in both the App Engine Datastore and corporate database systems.

DBMoto's easy-to-use, efficient visual interfaces, intuitive wizards and easy-to-follow guides help IT staff implement the toughest replication requirements quickly and easily. DBMoto is mature and approved by enterprises ranging from mid-sized to Fortune 1000 businesses worldwide. Achieving dependable data delivery in disconnected enterprise environments requires expertise in database servers. HiT Software has been delivering relational data access products since 1994, and DBMoto incorporates proven integration technology to ensure high performance yet minimally intrusive data synchronization, using Change Data Capture (CDC) for maximum efficiency.

Real-Time Data Replication and Change Data Capture

Refresh (snapshot) mode: Reads data set, applies administrator-defined mapping rules, and writes the entire result to the target.

Mirroring (CDC) mode: Provides bi-directional replication between corporate databases and the Google App Engine Datastore using transaction log-reading and Change Data Capture for fast, efficient data updates.

DBMoto's Management Center console:

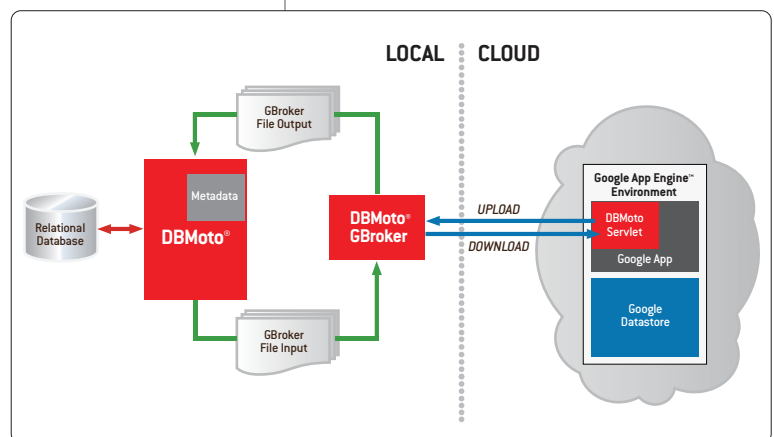
- Identifies and connects with multiple databases as source or target
- Creates/updates data sets in Google App Engine™ Datastore
- Manages and controls access to replication configurations
- Sets up replication processes and groups them for efficient execution
- Stores replication mapping and rules in a metadata database
- Monitors replication processes, compares results, and analyzes issues
- Provides real-time information on replication status
- Records replication activity, performance, and errors into logs, to quickly spot and manage errors.

Powerful, Flexible, Configurable Change Data Capture!

DBMoto provides all functionality in easy GUI and wizard-based screens; no stored procedures to develop; and no proprietary syntax to learn.

DBMoto Cloud G Edition consists of:

- **DBMoto®**
Data Replication and Change Data Capture software
- **DBMoto® Cloud G Edition™ Components**
which include DBMoto GBroker, Configurator and Google App Engine™ Servlet
- **DBMoto® Cloud G Edition™ User Guide**



Unmatched Replication and Transformation Control

With DBMoto®, users define data replication and transformations by applying built-in mapping and customized business rules.

Business rules can be applied through scripts which filter data or add business logic to a replication. They are implemented through automatically-generated events during a DBMoto replication. DBMoto also includes a powerful expression generator for interactive data transformation.

Databases Supported as Sources for Mirroring

IBM DB2 for i and AS400 V4R3 and later
IBM DB2 for z/OS (OS/390) v5 and later
IBM DB2 for Windows v5 and later
IBM DB2 for AIX, Linux, HP/UX, Solaris v5 and later
IBM Informix, version 11.5 and later (log-reading)
IBM Informix, all versions (triggers)
Oracle v8 and later
Microsoft SQL Server v6.5 and later
MySQL v3.23 and later
Gupta Technologies SQLBase
Sybase ASE v12.50 and later
Sybase SQL Anywhere

System Requirements

For the PC system with the DBMoto installation, these requirements assume that DBMoto Cloud G Edition will be configured with DBMoto, the GBroker and the GBrokerConfigurator on the same system:

- Windows Server 32-bit (x86) or 64-bit (x64) processor with at least 2GB memory
- At least 15 GB of free hard disk space
- Internet access capability
- .NET framework 2.0, SP2 or .NET framework 3.5 SP1
- .NET, OLE DB or ODBC connection to the source databases

For testing your environment before deploying to Google App Engine:

- Java SDK version 6
- Google App Engine SDK for Java
- Gson library

* Visit www.hitsw.com for more details

DBMoto Cloud G Edition Key Features

DATABASE SUPPORT

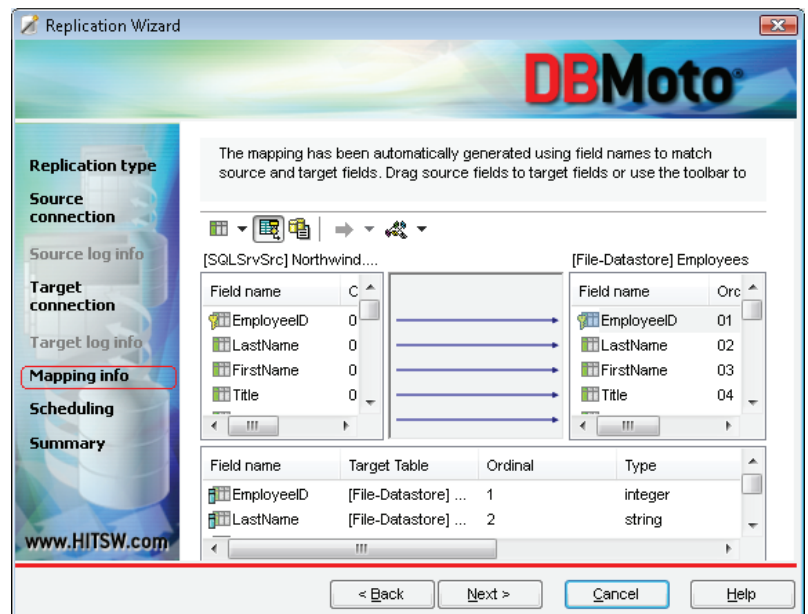
- Support for major databases as either source or target: IBM DB2 (including IBM i/AS400, z/OS, Linux, AIX, Windows), Oracle, Microsoft SQL Server, MySQL, Sybase Adaptive Server Enterprise, SQL Anywhere, Ingres, IBM Informix, Gupta SQLBase, and PostgreSQL
- Support for database clusters as sources
- Open APIs to integrate DBMoto into corporate architectures, or into third-party solutions

REPLICATION SUPPORT

- Replication modes: Refresh (snapshot), Bi-Directional Mirroring (change data capture)
- Extensive log reporting and accessibility
- Powerful visual tool for information on replication status and errors
- Built-in transformation functions, with custom functions definable at any time

USER SUPPORT

- User-friendly graphical interface
- Administrative wizards for fast, easy configuration and setup
- Configuration and management of entire replication process from DBMoto's Management Center console on Windows platform
- Remote administration of DBMoto Replicator through Management Center
- Customizable via Microsoft VB.NET scripting and event driven environment
- Extensive security including user authentication and other options
- No programming needed on source database platforms
- Source database table access via standard .NET data provider protocol



REAL-TIME DATA REPLICATION · CHANGE DATA CAPTURE · HETEROGENEOUS DATABASE SUPPORT

HIT Software, Inc., A BackOffice Associates, LLC Company

T: +1 408.345.4001 F: +1 408.345.4899
info@hitsw.com www.hitsw.com

Copyright © 2013 HIT Software, Inc., A BackOffice Associates, LLC Company. All rights reserved. HIT Software®, HIT Software logo, DBMoto, DBMoto Cloud Edition and DBMoto Verifier are trademarks or registered trademarks of HIT Software and BackOffice Associates, LLC in the United States and other countries. All other trademarks are the property of their respective owners.

1002-11300-006_a



A BackOffice Associates, LLC Company

BackOffice®
ASSOCIATES